

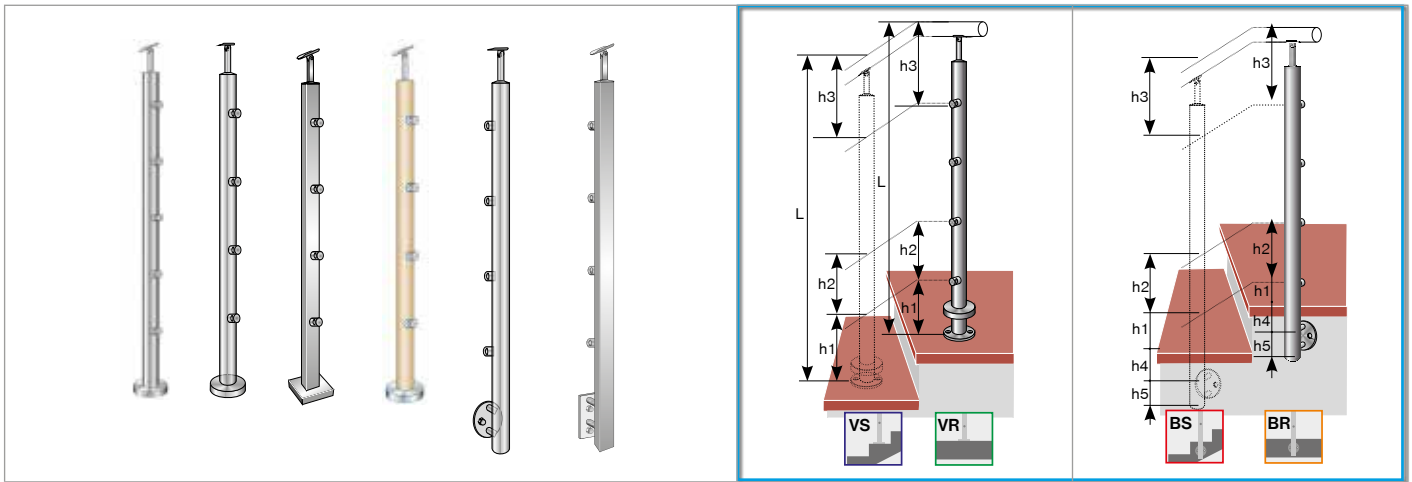
TOP components

		1x
	A/0718-242	
		4x
	A/0830-042	
		1x
	A/42, 4x2...	
	1x	
A/0512-042		
	1x	
A/0940-042-N		
<b>A-VR90-4D12</b>		

		1x
	A/0718-242	
		4x
	A/0830-042	
		1x
	A/42, 4x2...	
	1x	
A6/021-6-A		
	1x	
A/5729-242		
<b>A-BR90-4D12</b>		

		1x
	A/4718-042	
		4x
	A/0830-000	
		1x
	A/40x40x2	
	1x	
A/4511-040		
	1x	
A/4940-040		
<b>AJP-VR90-4D12</b>		

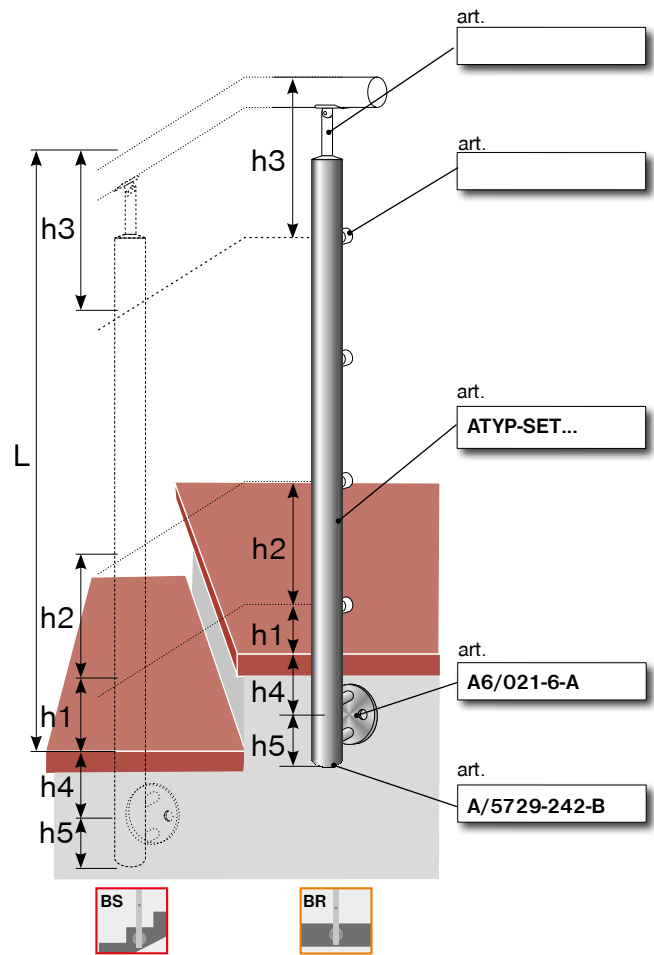
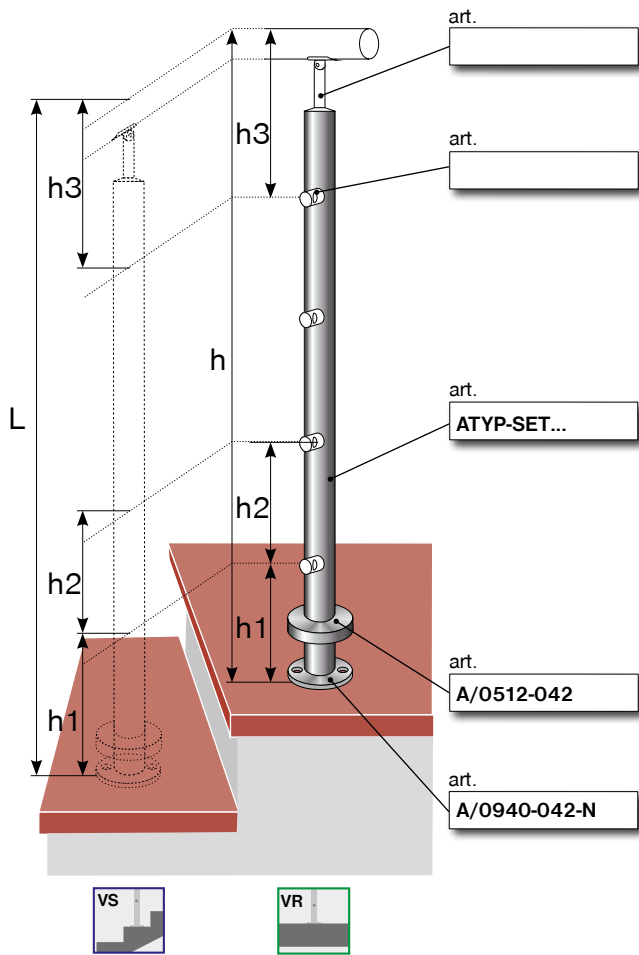
		1x
	A/0818-042 + A/1732-050-10	
		4x
	A/0830-042	
		1x
	WB/D50...	
	1x	
A/0512-050		
	1x	
A6/85x42x6-S		
<b>WB-VS90-4D12</b>		



art.	L	h1	h2	h3	h4	h5
	standard	standard	standard	standard	standard	standard
A-VR90-4D12	900	110	188	226	-	-
A-VS90-4D12	1000	210	188	226	-	-
A-VR100-5D12	1000	86	188	162	-	-
A-VS100-5D12	1100	186	188	162	-	-
A-BR90-4D12	900	110	188	226	110	65
A-BS90-4D12	1000	210	188	226	110	65
A-BR100-5D12	1000	86	188	162	110	65
A-BS100-5D12	1100	186	188	162	110	65

art.	Ø42,4x2	Ø50	40x40x2	AISI304	AISI316	buk (beech)	dub (oak)	satin	polish	L			VR	VS	BR	BS
										900	1000	1100				
A-VR90-4D12	✓							✓	✓	✓			✓			
A-VR100-5D12	✓							✓			✓		✓			
A-VR90-4D12-L	✓							✓	✓				✓			
A-VR100-5D12-L	✓							✓			✓		✓			
A-VS90-4D12	✓							✓						✓		
A-VS100-5D12	✓							✓						✓		
A-VS90-4D12-L	✓							✓	✓					✓		
A-VS100-5D12-L	✓							✓						✓		
AJP-VR90-4D12			✓					✓		✓			✓			
AJP-VR100-5D12			✓					✓			✓		✓			
AJP-VS90-4D12			✓					✓						✓		
AJP-VS100-5D12			✓					✓						✓		
WB-VS90-4D12		✓					✓	✓		✓				✓		
WB-VR90-4D12		✓					✓	✓		✓			✓			
A-BR90-4D12	✓							✓		✓					✓	
A-BR100-5D12	✓							✓			✓				✓	
A-BS90-4D12	✓							✓		✓						✓
A-BS100-5D12	✓							✓				✓				✓
A-BS90-4D12-L	✓							✓	✓							✓
AJP-BR90-4D12			✓					✓		✓					✓	
AJP-BS90-4D12			✓					✓		✓						✓

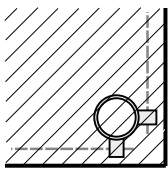
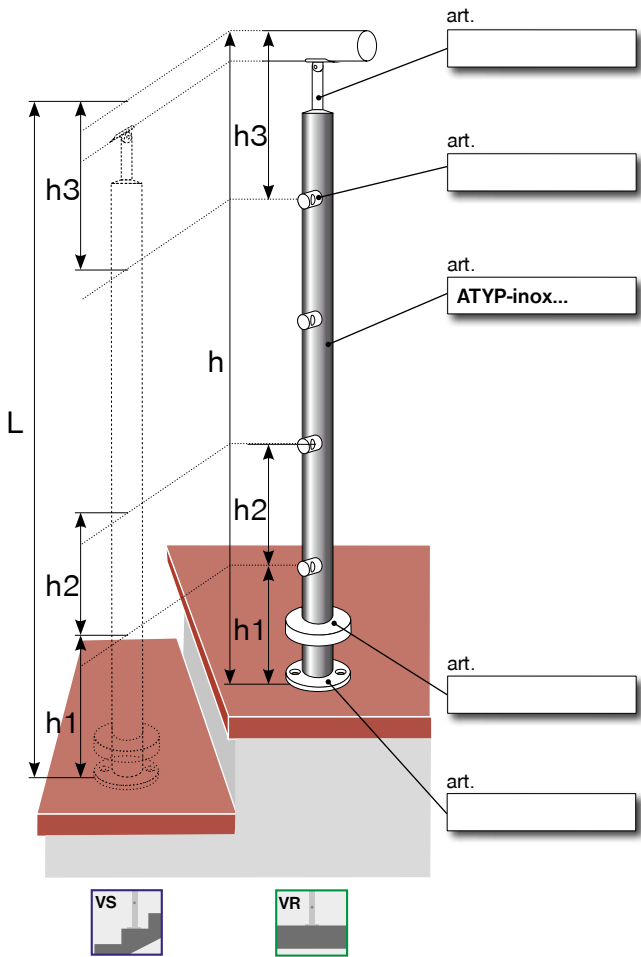
atyp inox  
page N° 69



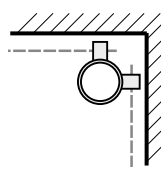
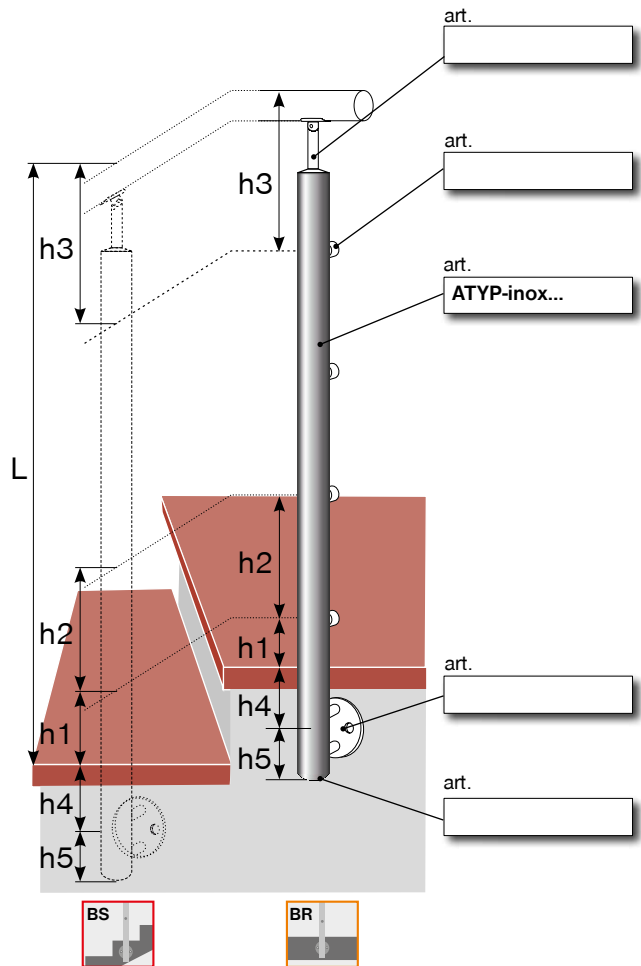
art.	L	h1	h2	h3	h4	h5	pcs
	standard	standard	standard	standard	standard	standard	
ATYP-SET-VR90-4D	900	110	188	226	-	-	
ATYP-SET-VS90-4D	1000	210	188	226	-	-	
ATYP-SET-VR100-5D	1000	86	188	162	-	-	
ATYP-SET-VS100-5D	1100	186	188	162	-	-	
ATYP-SET-BR90-4D	900	110	188	226	110	65	
ATYP-SET-BS90-4D	1000	210	188	226	110	65	
ATYP-SET-BR100-5D	1000	86	188	162	110	65	
ATYP-SET-BS100-5D	1100	186	188	162	110	65	

\*Production time: 3-5 days

Notes:



4G90-OUT



4G90-IN

art.	L (<1200mm)	h1	h2	h3	h4	h5	pcs
	atyp	atyp	atyp	atyp	atyp	atyp	
ATYP-inox A/42,4							
ATYP-inox A/42,4-L							
ATYP-inox A14/42,4							
ATYP-inox A/40x40							
ATYP-inox A14/40x40							
ATYP-inox WB/40x40							
ATYP-inox WB/D50							
ATYP-inox WD/40x40							
ATYP-inox WD/D50							

\*Production time: 5-10 days

Notes: